

FreeNAS[®] Certified Basic Setup Guide

Version 2.5



Copyright © 2019 iXsystems, Inc. All rights reserved. All trademarks are the property of their respective owners.

1 FreeNAS® Certified Servers

FreeNAS® Certified Servers are available in hard disk, hybrid, and all-flash storage arrays, with form factors including 1U, 2U, and 4U. All FreeNAS® Certified Servers are preinstalled with the latest FreeNAS® on a mirrored internal flash device.

FreeNAS® units are carefully packed and shipped with trusted carriers to arrive in perfect condition. If there is any shipping damage or any parts are missing, please take photos and contact iXsystems support immediately at support@ixsystems.com or **855-GREP4-iX** (855-473-7449) or 408-943-4100.

Please locate and record the hardware serial numbers on the back of each chassis for quick reference.

Please confirm that the shipment includes these parts:



One FreeNAS Certified Server, up to 26 populated 3.5-inch drive trays depending on ordered configuration, a power cable, and a rail kit with mounting hardware.

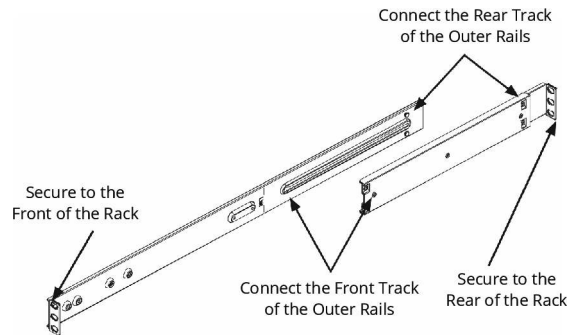
1.1 1U FreeNAS[®] Certified Storage Servers

1.1.1 Install the Outer Rails in the Rack

Attach the short bracket to the outside of the long bracket. Align the pins of the rail with the slides. The ends of each bracket must angle in the same direction.

Adjust both the short and long brackets to the proper distance so the rail fits snugly into the rack.

Secure the long bracket to the front side of the outer rail with two M5 screws. Secure the short bracket to the rear side of the outer rail with three M5 screws.

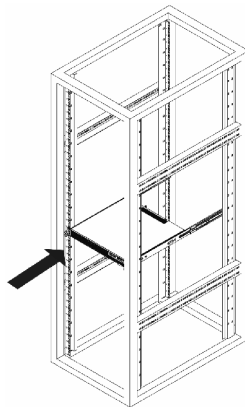


Repeat the process to install the second rail in the rack.

1.1.2 Install the 1U System in the Rack

Confirm that the inner rails and rail extensions have already been mounted to the chassis.

Align the chassis rails with the front of the outer rails in the rack. Slide the chassis rails into the rack rails, keeping the system square to the rack and the pressure even on both sides. It might be necessary to depress the locking tabs when inserting. When the server has been pushed completely into the rack, the locking tabs will click into the locked position.

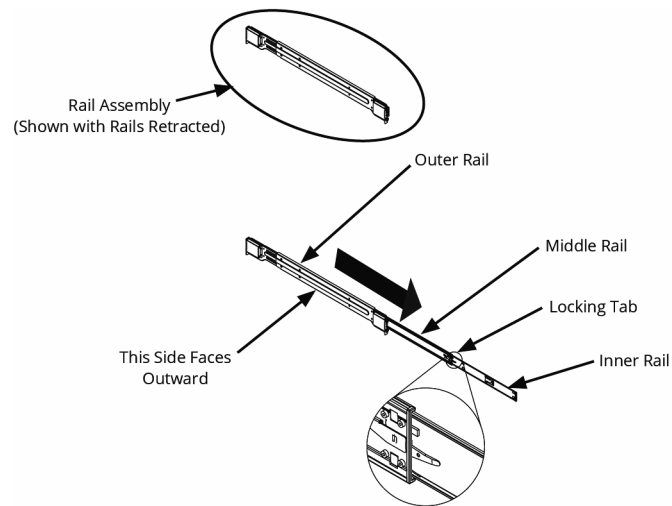


Optional: insert and tighten the thumbscrews that hold the front of the server to the rack.

1.2 2U and 4U FreeNAS® Certified Storage Servers (Including Flash)

1.2.1 Identify Sections of the Rails

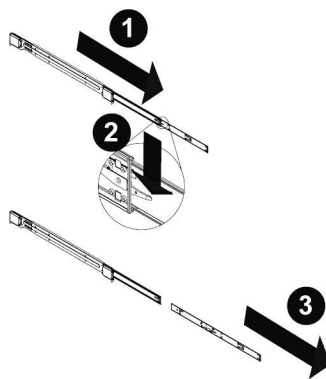
The package includes two rail assemblies. Each assembly consists of three sections: an inner rail that secures directly to the chassis, an outer rail that secures to the rack, and a middle rail which extends from the outer rail. Each rail assembly is designed to be installed on a specific side of the rack, either the left or the right.



1.2.2 Release the Inner Rails from the Outer Rails

The inner rails have a locking latch which prevents the server from coming completely out of the rack when the chassis is pulled out for servicing. To mount the rail onto the chassis, release the inner rail from the outer rails:

- Pull the inner rail out of the outer rail until it is fully extended as shown below.
- Press the locking tab down to release the inner rail.
- Pull the inner rail all the way out.
- Repeat for the other rail.



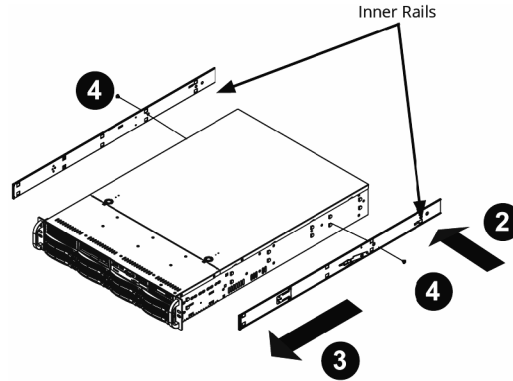
1.2.3 Install the Inner Rails on the Chassis

Identify the left and right rails from the labels on them.

Place the left inner rail firmly against the left side of the chassis, aligning the hooks on the side of the chassis with the holes in the inner rail. Slide the inner rail forward until the quick-release bracket snaps into place, securing the rail to the chassis.

Optional: secure the inner rail to the chassis with a screw.

Repeat the process for the right inner rail.

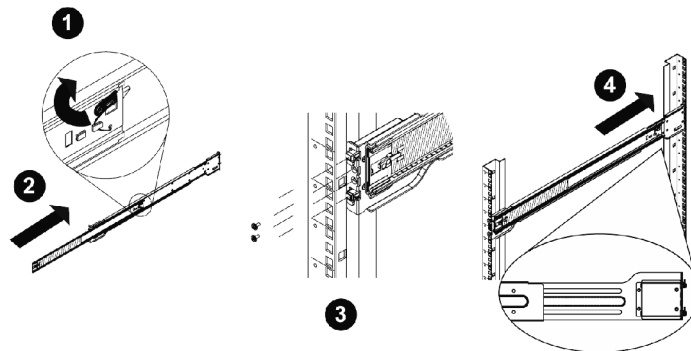


1.2.4 Install the Outer Rails onto the Rack

Press upward on the locking tab at the rear of the middle rail. Push the middle rail back into the outer rail.

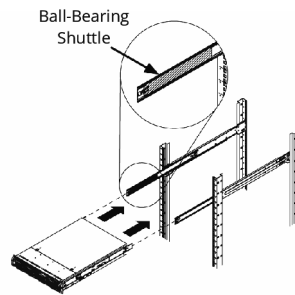
Hang the hooks on the front of the outer rail onto the square holes on the front of the rack. If desired, use screws to secure the outer rails to the rack.

Pull out the rear of the outer rail, adjusting the length until it fits snugly within the posts of the rack. Hang the hooks of the rear section of the outer rail onto the square holes on the rear of the rack. Make sure the rails are level. If desired, use screws to secure the rear of the outer rail to the rear of the rack.



1.2.5 Install the System into the Rack

Extend the outer rails as shown below. Align the inner rails on the chassis with the outer rails on the rack. Slide the inner rails into the outer rails, keeping the chassis square to the rack and the pressure even on both sides. When the chassis has been pushed completely into the rack, it clicks into the locked position.



Optional: Use screws to secure the front of the chassis to the rack.

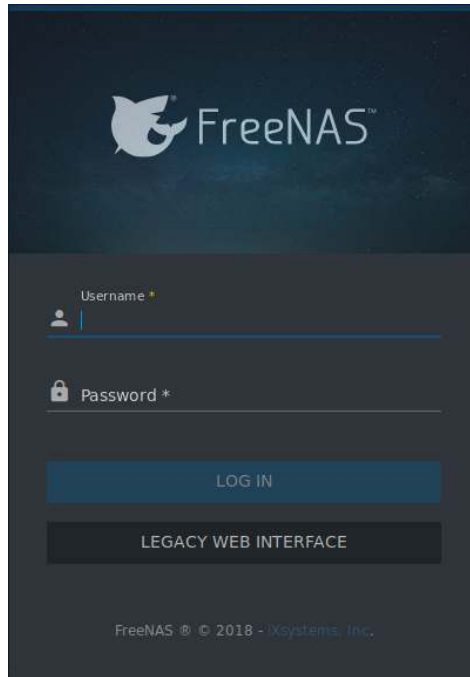
1.3 Intel QSFP+ Utility

Some FreeNAS® Certified systems are supplied with Intel® QSFP+ network cards. Intel provides a FreeNAS®-compatible FreeBSD command line configuration utility for these cards. The utility is available from the [Intel Download Center](https://downloadcenter.intel.com/download/25852/Intel-QSFP-Configuration-Utility-FreeBSD) (<https://downloadcenter.intel.com/download/25852/Intel-QSFP-Configuration-Utility-FreeBSD>) along with full [documentation](https://downloadmirror.intel.com/25852/eng/qcu.txt) (<https://downloadmirror.intel.com/25852/eng/qcu.txt>).

1.4 Logging in to FreeNAS®

FreeNAS® uses the Multicast DNS service, also known as Bonjour or mDNS, to make the system accessible on most networks without additional setup.

Run a web browser on another computer on the same network. Open the FreeNAS® web interface by typing `freenas.local` or the IP address of the FreeNAS® Certified system into the browser address bar and pressing Enter.



Log in with:

Username: **root**

Password: **abcd1234**

Warning: Change the *root* password in *Account* → *Users* after logging in to increase system security.

Tip: When more than one FreeNAS® device is connected to the network, mDNS can experience name conflicts. Give each FreeNAS® device a unique hostname like *freenas1.local* and *freenas2.local* to avoid this problem. The hostname is changed in *Network* → *Global Configuration* → *Hostname* in the FreeNAS® web interface.

1.5 Additional Resources

The FreeNAS® User Guide with complete configuration instructions is available by clicking *Guide* in the FreeNAS® web interface or going directly to <https://www.ixsystems.com/documentation/freenas/>.

Additional guides, datasheets, and knowledgebase articles are available in the iX Information Library (<https://www.ixsystems.com/library/>).

1.6 Contacting iXsystems

For assistance, please contact iX Support:

Contact Method	Contact Options
Web	https://support.ixsystems.com
Email	support@ixsystems.com
Telephone	Monday - Friday, 6:00AM to 6:00PM Pacific Standard Time: <ul style="list-style-type: none">• US-only toll-free: 855-473-7449 option 2• Local and international: 408-943-4100 option 2